

Manual with instalation proces BMW M50/M52/S50/S52/M54/S54 enignes
with automatic BMW ZF 8HP45 / 8HP50 / 8HP55 / 8HP70 /8HP75X

E-mail: adamat@poczta.onet.eu

List of compatibble tranmission

BMW ZF 8HP 8HP70 GA8HP70 BMW N57 N57N

BMW ZF 8HP 8HP75 GA8HP75X BMW N57 N57N

BMW ZF 8HP 8HP50 / 8HP50Z GA8HP50Z BMW BMW B58 B58B30

BMW ZF 8HP 8HP75Z GA8HP75Z / 8HP75 BMW B57 B57B30

BMW ZF 8HP 8HP51Z GA8HP51Z / 8HP51 BMW B48 B48B20

BMW ZF 8HP 8HP51Z GA8HP51Z / 8HP51 BMW B46 B46B20

BMW ZF 8HP 8HP45Z GA8HP45X BMW B47C/D20

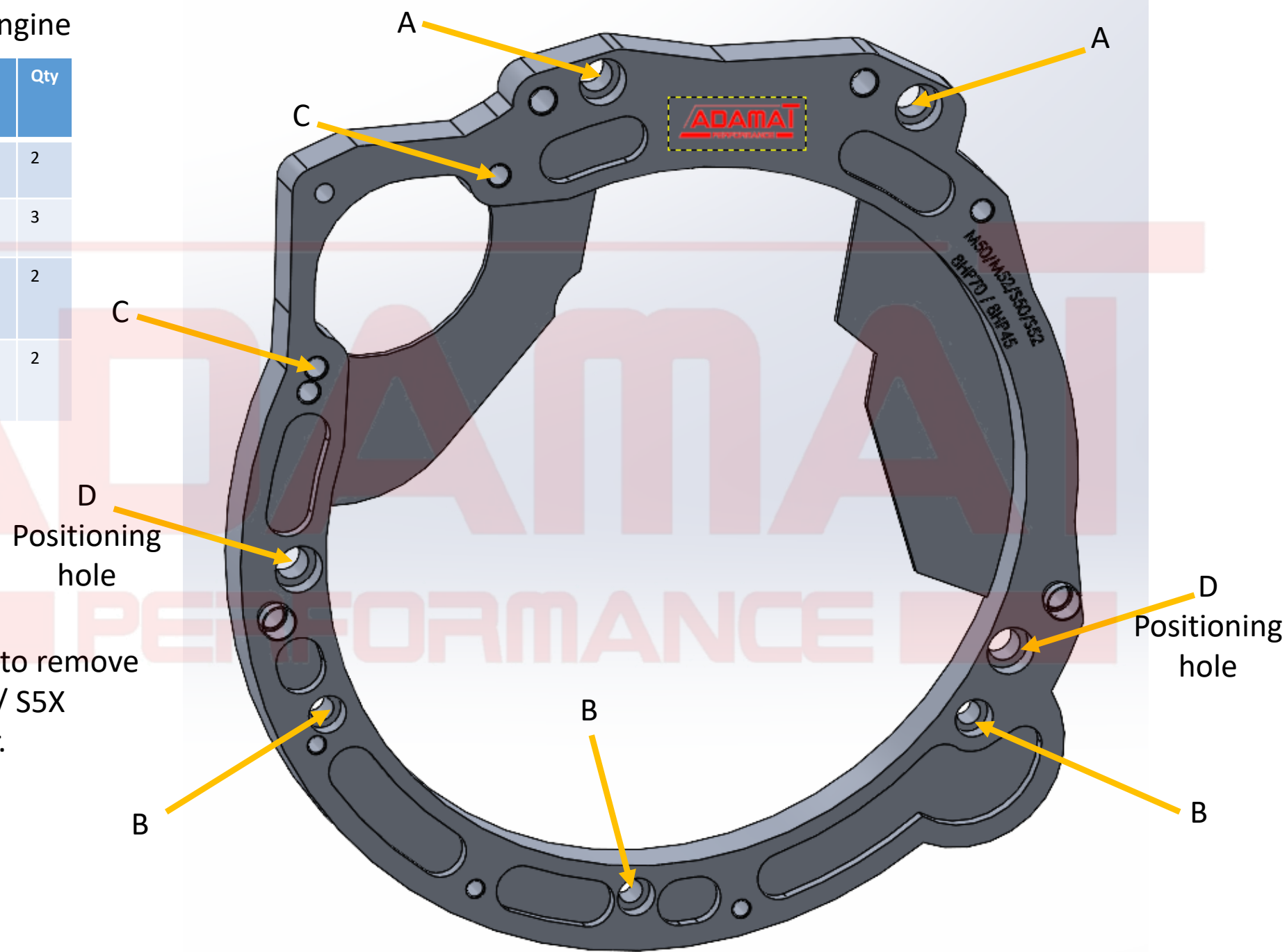
1. Adapter installation on engine

No	Bolts type	Size	Qty
A	DIN7984	M12x25	2
B	DIN7984	M8x30	3
C	DIN912	M10x30 installation from oposite, remove threads in starter motor by Ø10,5 driller	2
D	DIN7984	M12x30	2



DIN 7984 DIN 912

Thread holes to remove
In OEM M5X / S5X
Starter motor.

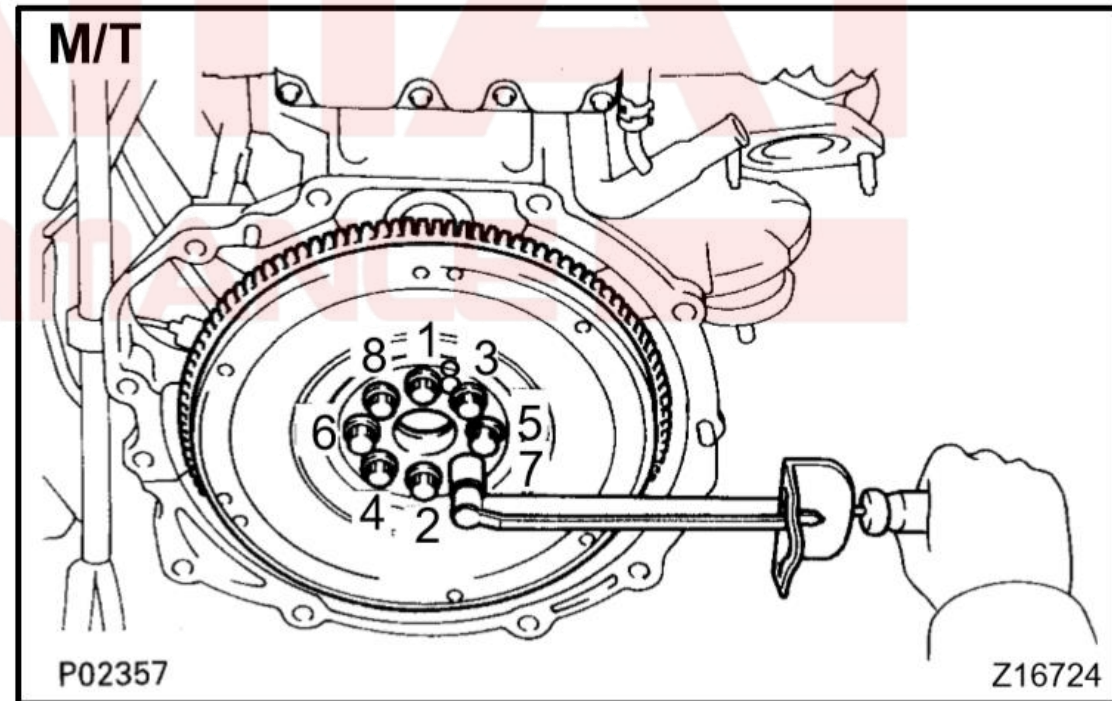


2. Solid flywhell installation.

Please use 8x DIN912 M12x1,5x30 included in kit

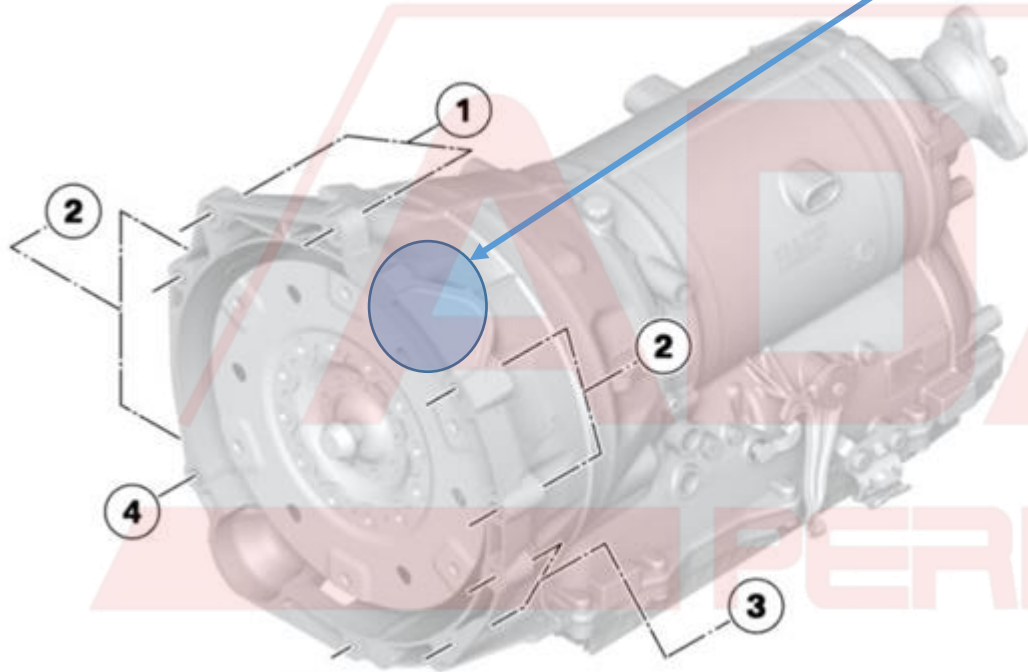
Torque for bolts:

- use lubricant SOFT thread locker
- first stage 49Nm
- Secound stage 85Nm
- final stage 115Nm



3. Local modification in transmission case.

Local modification
needed for starter motor
Area clearance.
Assy adapter on
tranmission and mark
colision area



No	Bolts type	Size	Qty
1	DIN912	M12x1,5x40	2
2	DIN912	M12x1,5x60	3
2	DIN912	M10x60 + washer	1
3	DIN912	M8x45	
4	N/A	Not used	

4. Assy transmission with torque converter on engine with standard procedure.

For torque converter please use 6pcs DIN933 10.9 class M10x20 included in kit

Torque for bolts

- use soft thread locker glue.
- first stage 49Nm
- Secound stage 55Nm
- final stage 85Nm

Hole for torque bolts
Assembly. Remove Cap
To installation.

