

Manual with instalation proces fot GM family LS, LSX, LSA, LQ, LT with BMW 8HP

E-mail: adamat@poczta.onet.eu

List of compatibble tranmission

BMW ZF 8HP 8HP70 GA8HP70 BMW N57 N57N

BMW ZF 8HP 8HP75 GA8HP75X BMW N57 N57N

BMW ZF 8HP 8HP50 / 8HP50Z GA8HP50Z BMW BMW B58 B58B30

BMW ZF 8HP 8HP75Z GA8HP75Z / 8HP75 BMW B57 B57B30

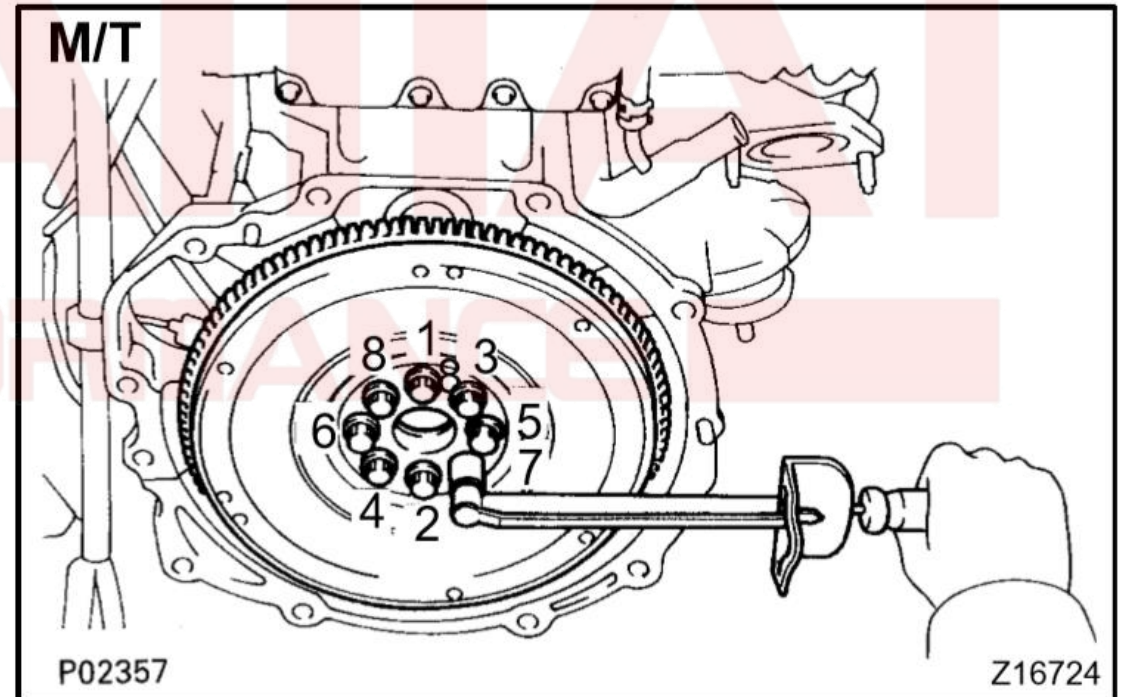
BMW ZF 8HP 8HP51Z GA8HP51Z / 8HP51 BMW B48 B48B20

BMW ZF 8HP 8HP51Z GA8HP51Z / 8HP51 BMW B46 B46B20

BMW ZF 8HP 8HP45Z GA8HP45X BMW B47C/D20

Torque for bolts from kit M11x1.5 12.9 class,

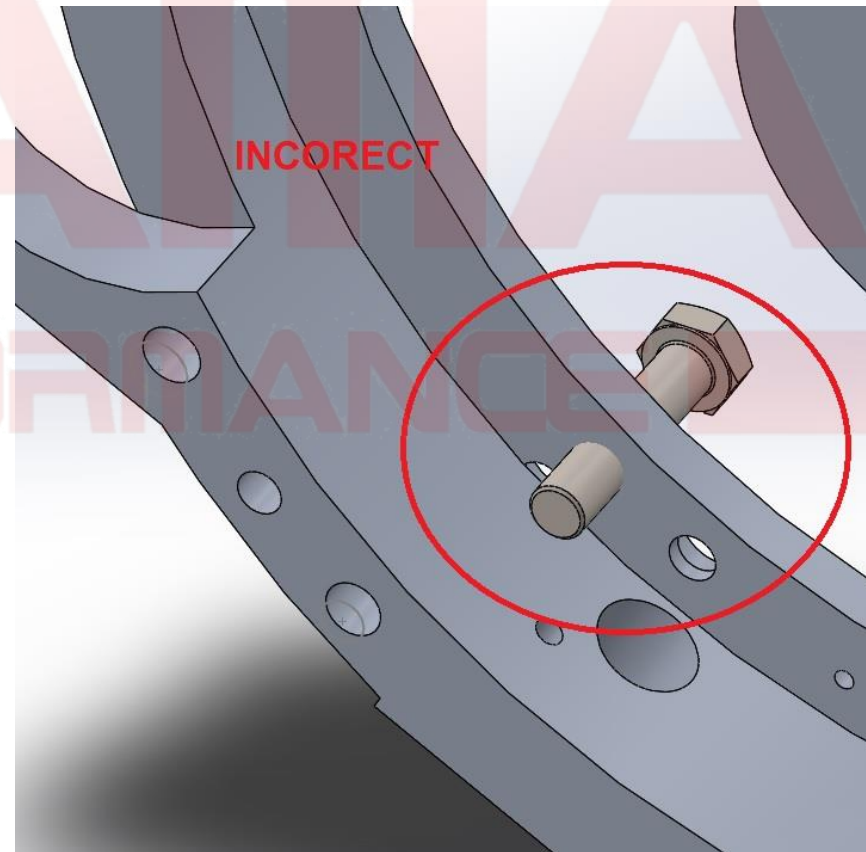
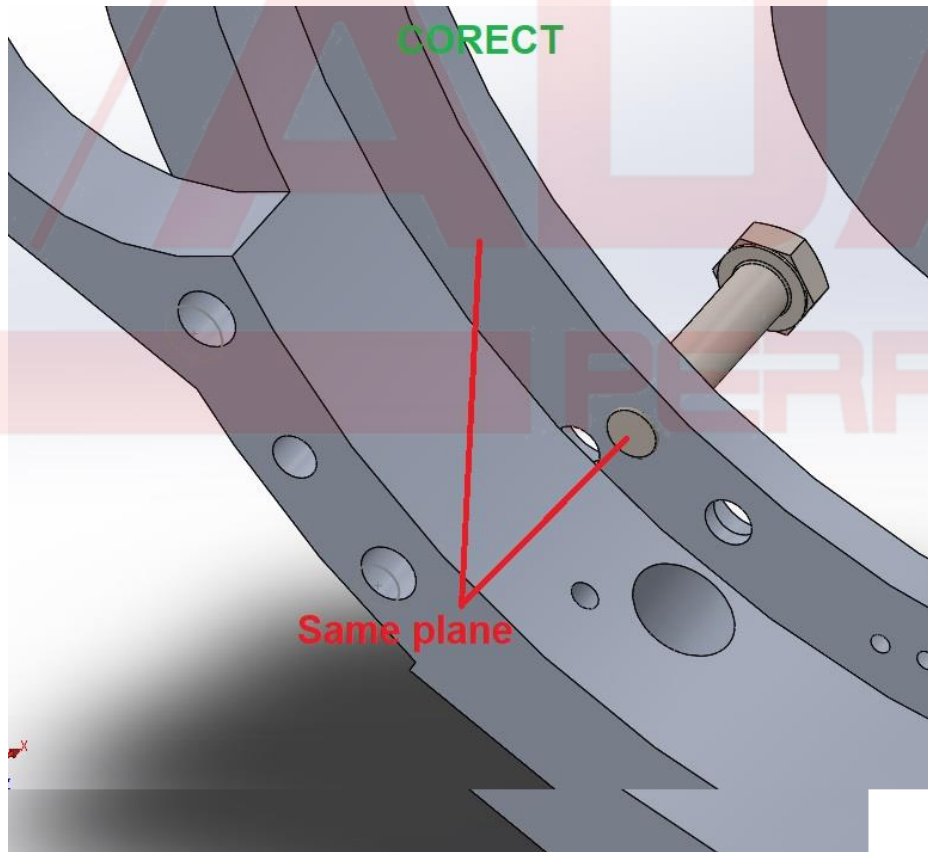
- use lubricant soft threadlocker
- first stage 49Nm
- Second stage 65Nm
- final stage 107Nm



1. In first step please assy adapter on engine and check is starter motor fit without nescassary changes in adapter.

2. Please bolt tansmission on adapter and make sure that end of bolts are maximum on adapter plate.

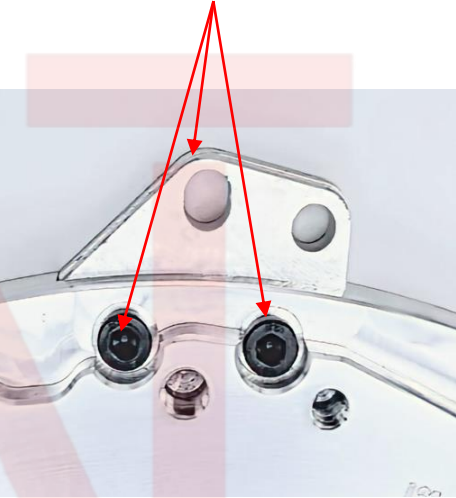
To long bolts can touch starter ring on flywhell and damage it. We recomended fit tranmission on engine together with eariel assembled adapter plate.



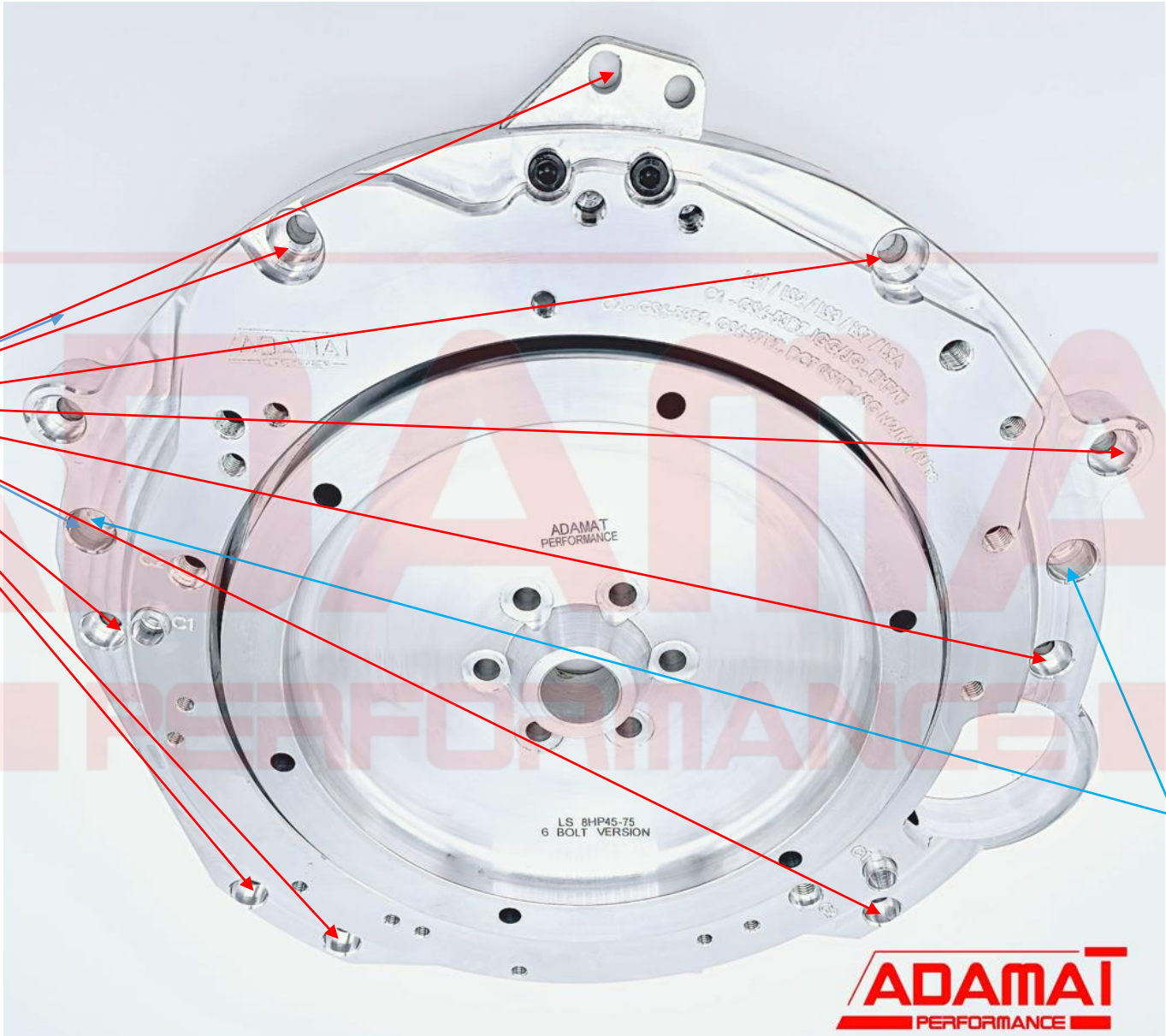
3. Second step adapter installation on engine

DIN 912 M10x30 bolts

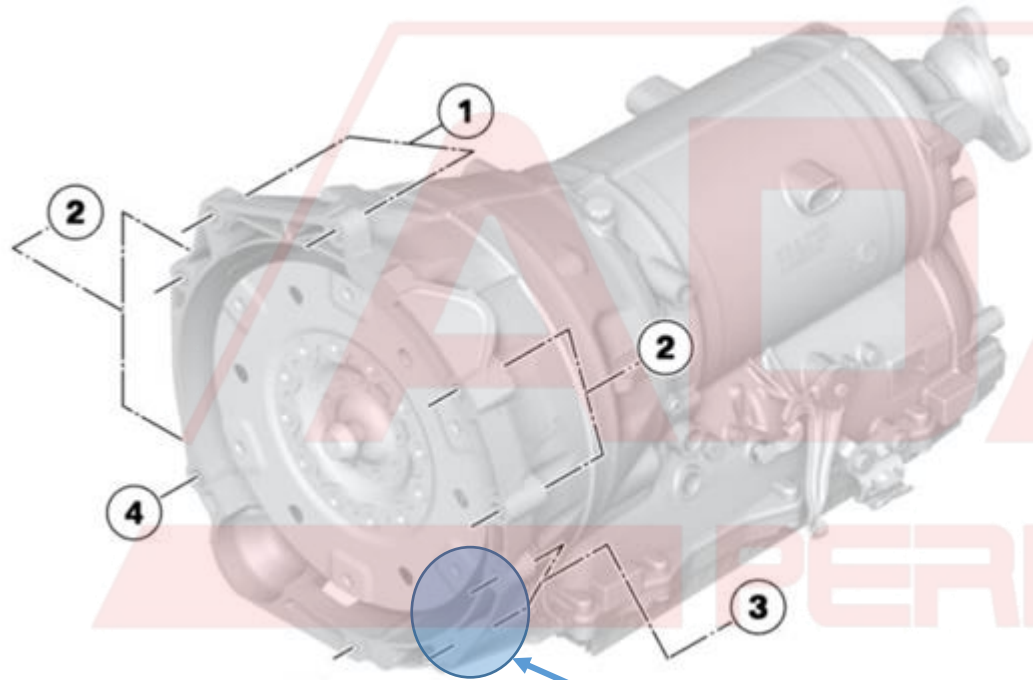
Assy steel plate for adapter by two DIN912 M8x16 bolts



Positioning holes on engine dowel pins



4. Local modification in transmission case.

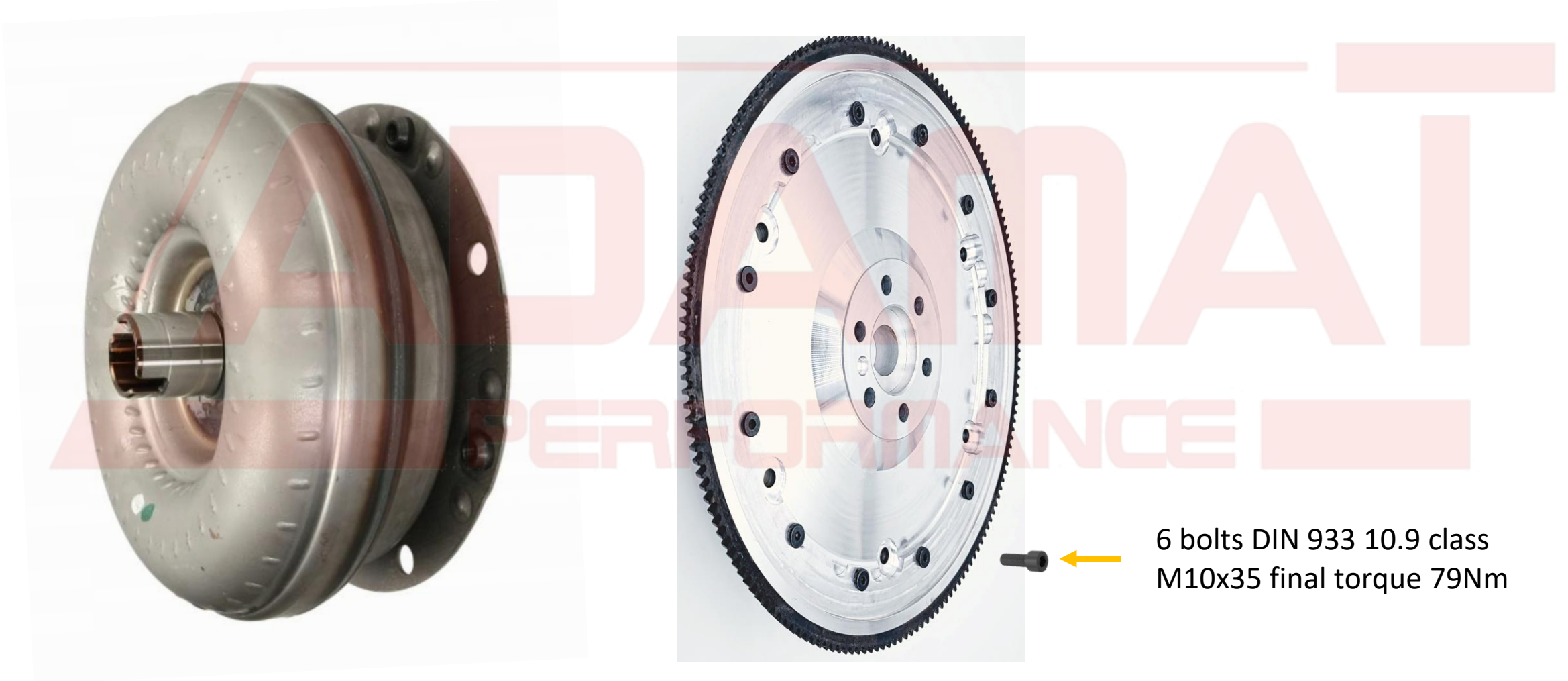


No	Bolts type	Size	Qty
1	DIN912	M12x1,5x40	2
2	DIN912	M12x1,5x55	4
3	DIN912	M8x45	3
4	N/A	Not used	

Local modification
needed for starter motor
Area clearance.
Assy adapter on
tranmission and mark
colision area

5. Assy transmission with torque converter on engine with standard procedure.

For torque converter please use
pcs bolts as on chart .



6 bolts DIN 933 10.9 class
M10x35 final torque 79Nm