

Manual with instalation proces AUDI-VQ 4.2 V8 EA824 BGH/BGJ/BFM/BAT engines

E-mail: [adamat@poczta.onet.eu](mailto:adamat@poczta.onet.eu)

Compatible tranmissions

AUDI Tiptronic

8HP55 MXR / RHV / MEE / MEF A8 S8 4.2 4.0 TFSI

8HP55 NXT / NNT / NVF 3.0TFSI from A6 RS6 A7 RS7

8HP55 SHP 3.0TFSI from AUDI S4 A4

8HP55 NWZ 3.0TFSI AUDI A8 3,0 TFSI

8HP55 NEU AUDI A6 C7

8HP55 NGR 2.0 TFSI AUDI A4 A5 A6 Q5

8HP55 PTT / PPE / PFH SQ5 Q5 A6 A7 3.0 TDI

8HP55 MXV AUDI Q5 8R

8HP-55 NTA AUDI A4 B8 2.0

OTHERS

1. AUDI flex plate instalation.

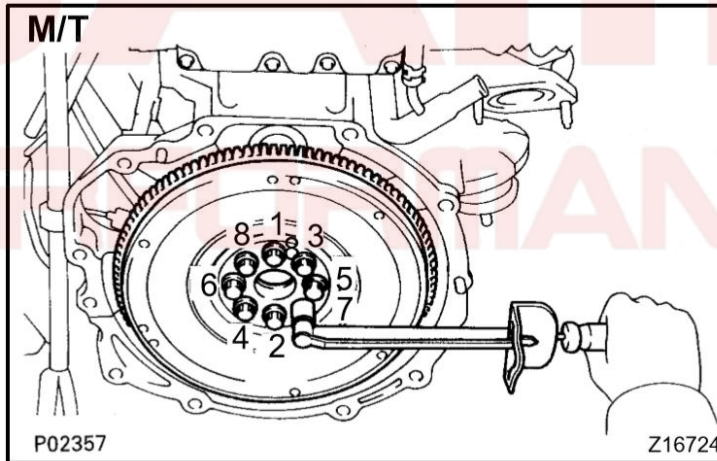
**FLEXPLATE NOT INCLUDED IN STANDARD KIT.**

**flywhell are installed together with OEM flexplate,**

**Torque for DIN912 M10x1x60 Bolts:**

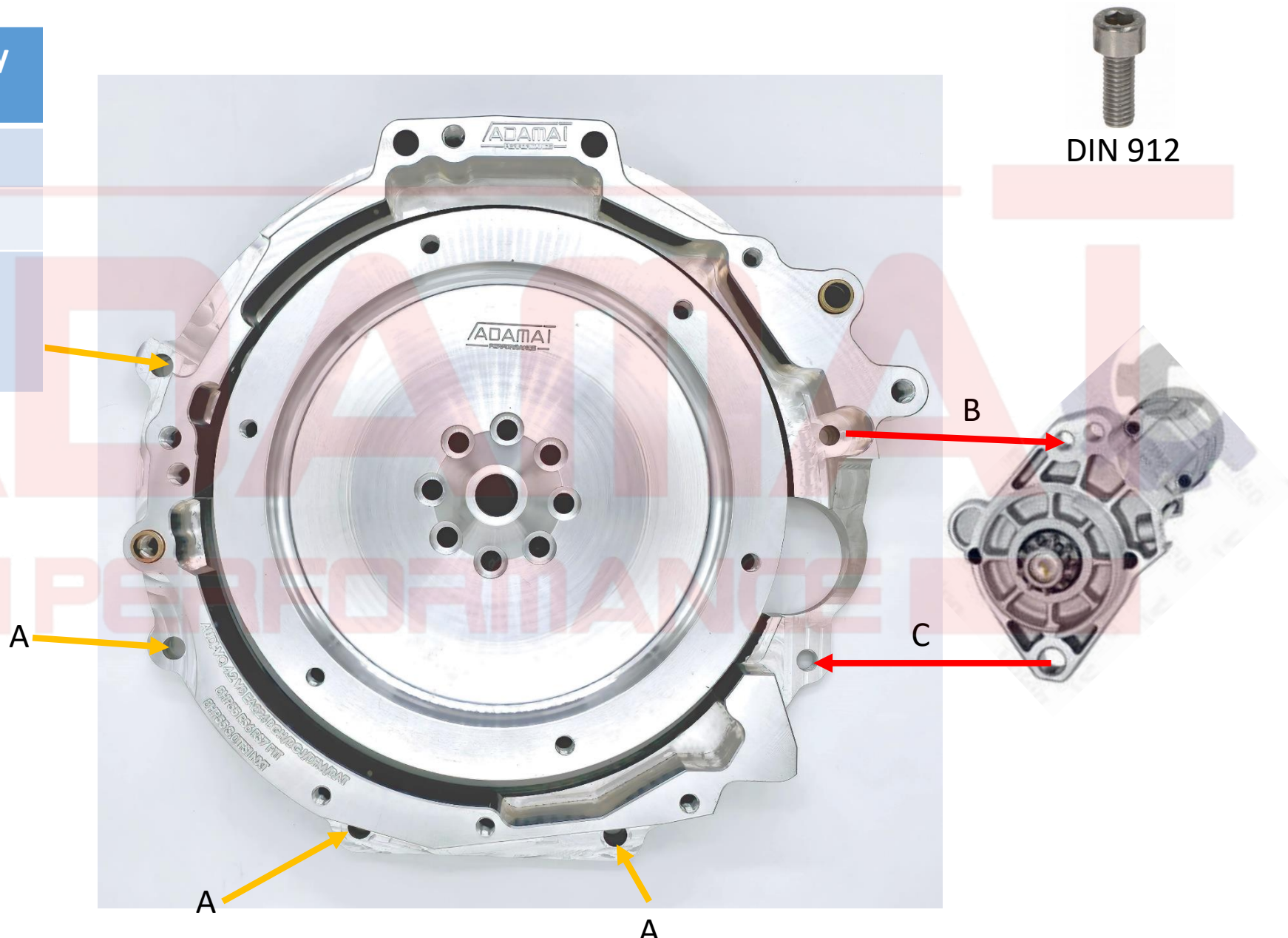
- use lubricant SOFT thread locker
- first stage 49Nm
- Secound stage 65Nm
- final stage 95Nm

2. From behind please install 3 bolts M12x1,5x25  
With spring washer



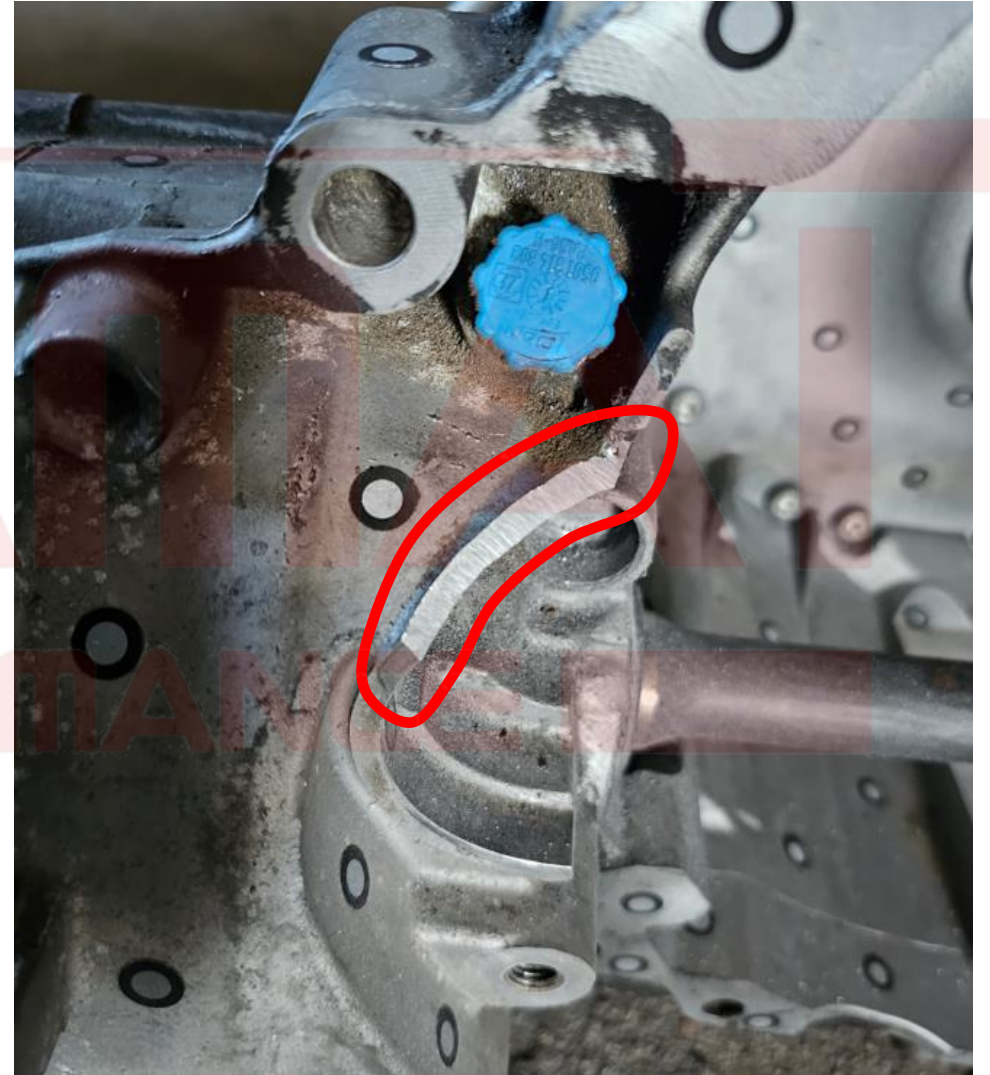
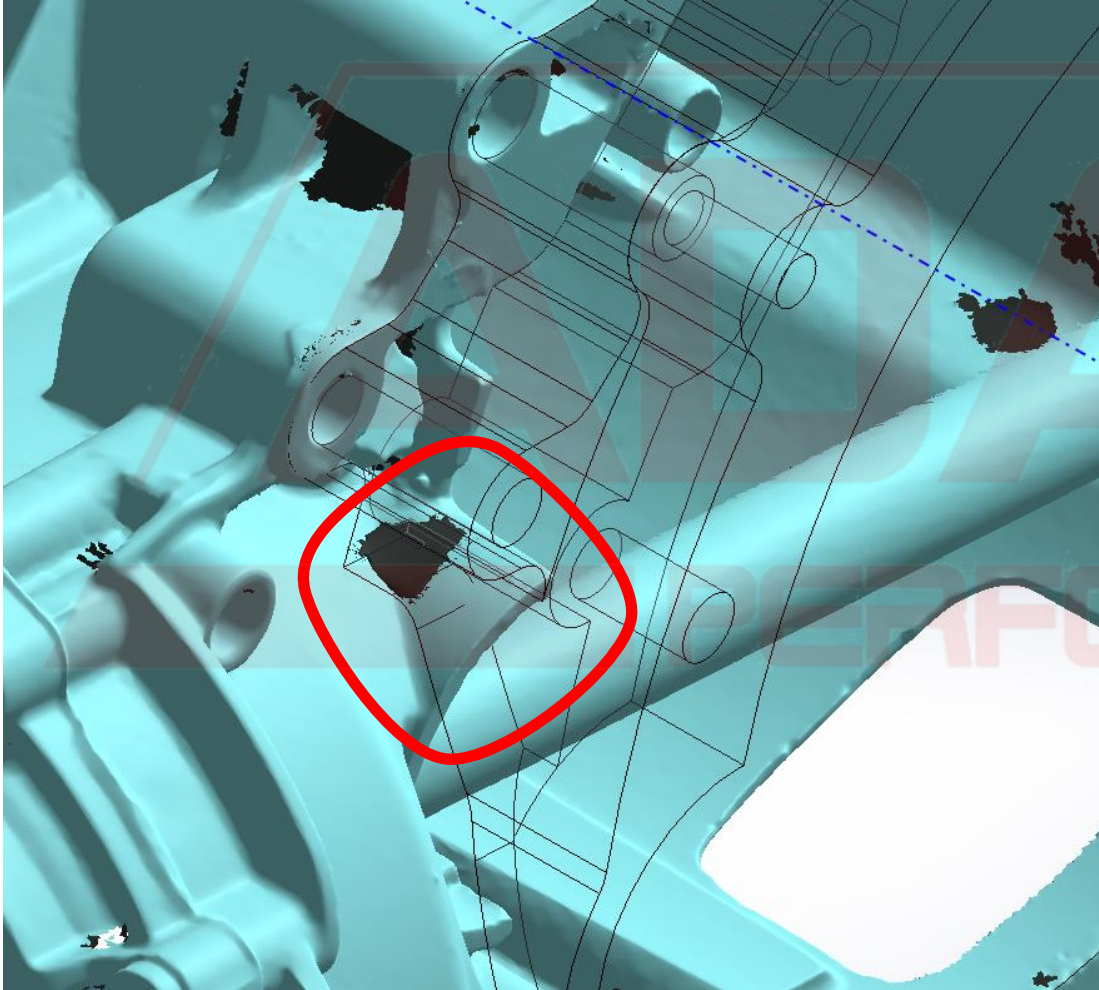
### 3A. Adapter installation on engine

N o	Bolts type	Size	Qty
A	DIN912	M12x40	4
B	DIN912	M10x40	1
C	DIN912	M12x1,5x25 Assy from oposite	1



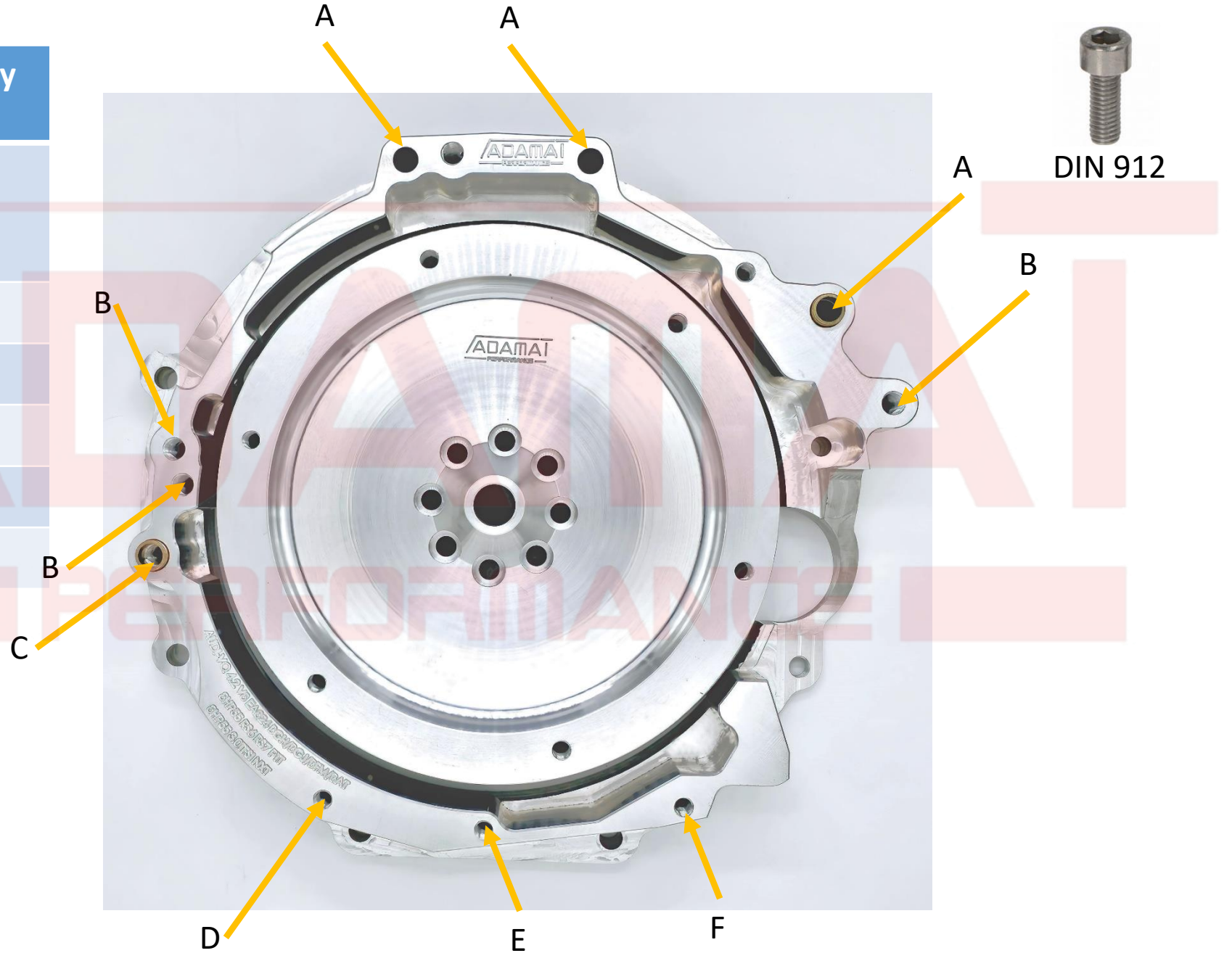


3B. Local modification in tranmission case.  
Please grind marked area asn shown on photos.



3C. Together with transmission assy rest bolts.

N o	Bolts type	Size	Qty
A	DIN912	M12x150 Direct to engine block	3
B	DIN912	M12x1,5x70	3
C	DIN912	M12X1,5X90	1
D	DIN912	M10x25	1
E	DIN912	M10x40	1
F	DIN912	M10x65	1





## 5. Torque converter to flywheel assy bolts.

### 2 Torque for bolts from kit DIN6921 M10x25 10.9class

- use graphite grase on threads.
- first stage 49Nm
- Secound stage 55Nm
- final stage 79Nm

