

Manual with instalation proces DATSUN L24 L26 L28 enignes with 8HP

E-mail: [adamat@poczta.onet.eu](mailto:adamat@poczta.onet.eu)

List of compatibble tranmission

BMW ZF 8HP 8HP70 GA8HP70 BMW N57 N57N

BMW ZF 8HP 8HP75 GA8HP75X BMW N57 N57N

BMW ZF 8HP 8HP50 / 8HP50Z GA8HP50Z BMW BMW B58 B58B30

BMW ZF 8HP 8HP75Z GA8HP75Z / 8HP75 BMW B57 B57B30

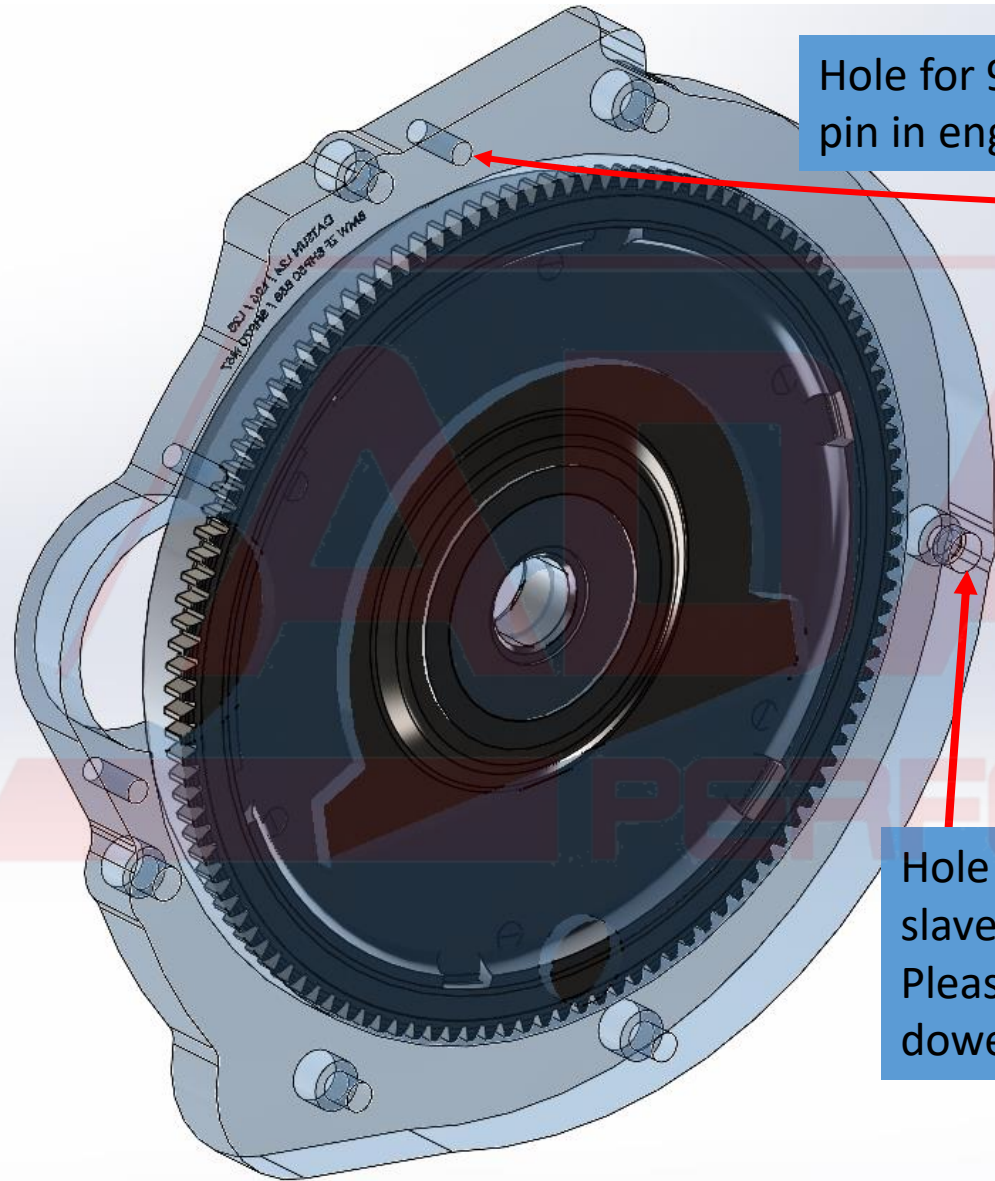
BMW ZF 8HP 8HP51Z GA8HP51Z / 8HP51 BMW B48 B48B20

BMW ZF 8HP 8HP51Z GA8HP51Z / 8HP51 BMW B46 B46B20

BMW ZF 8HP 8HP45Z GA8HP45X BMW B47C/D20

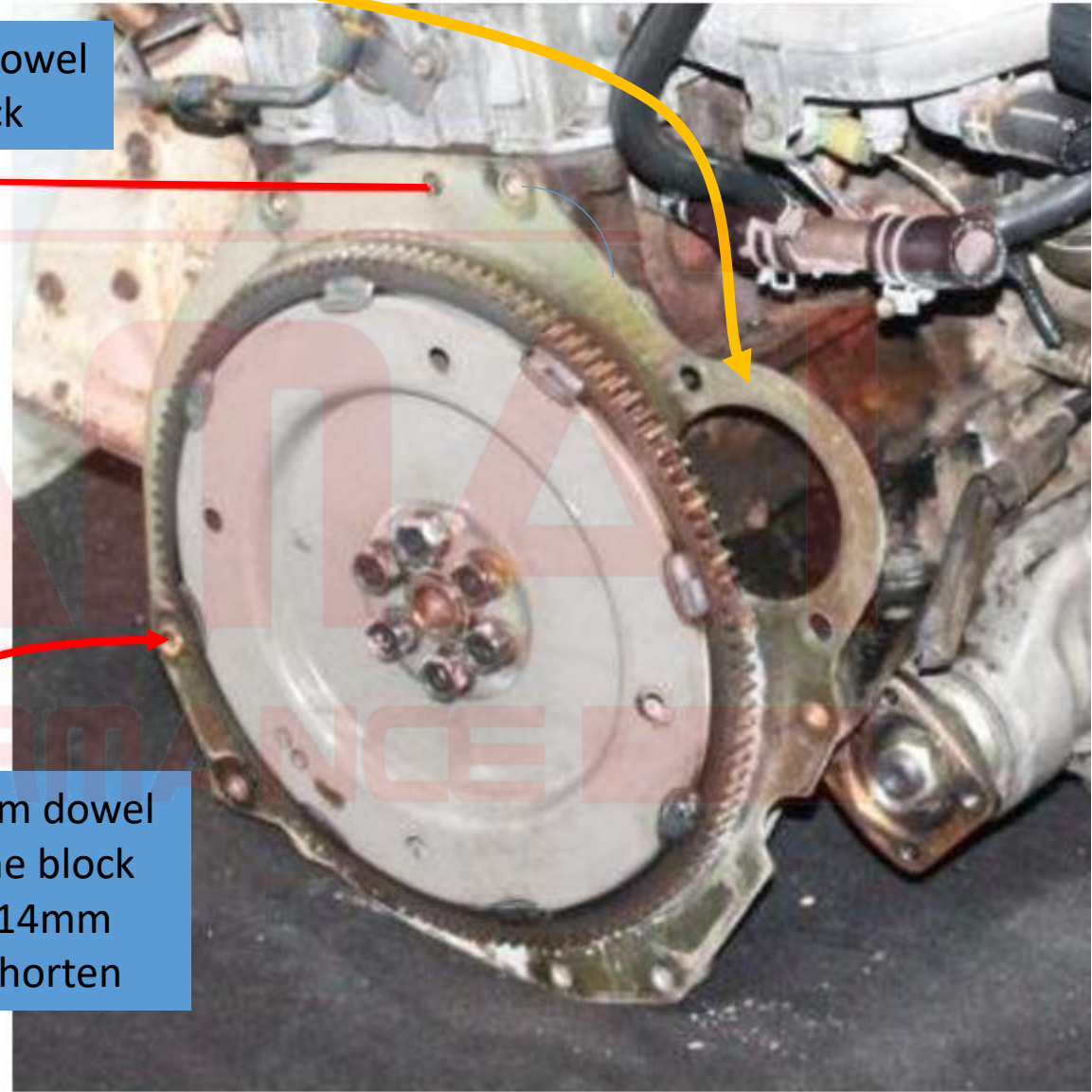
# 1. First step adapter installation on engine

We dont use steel OEM metal flywhell cover „yellow color arrow line”



Hole for 9.5mm dowel pin in engine block

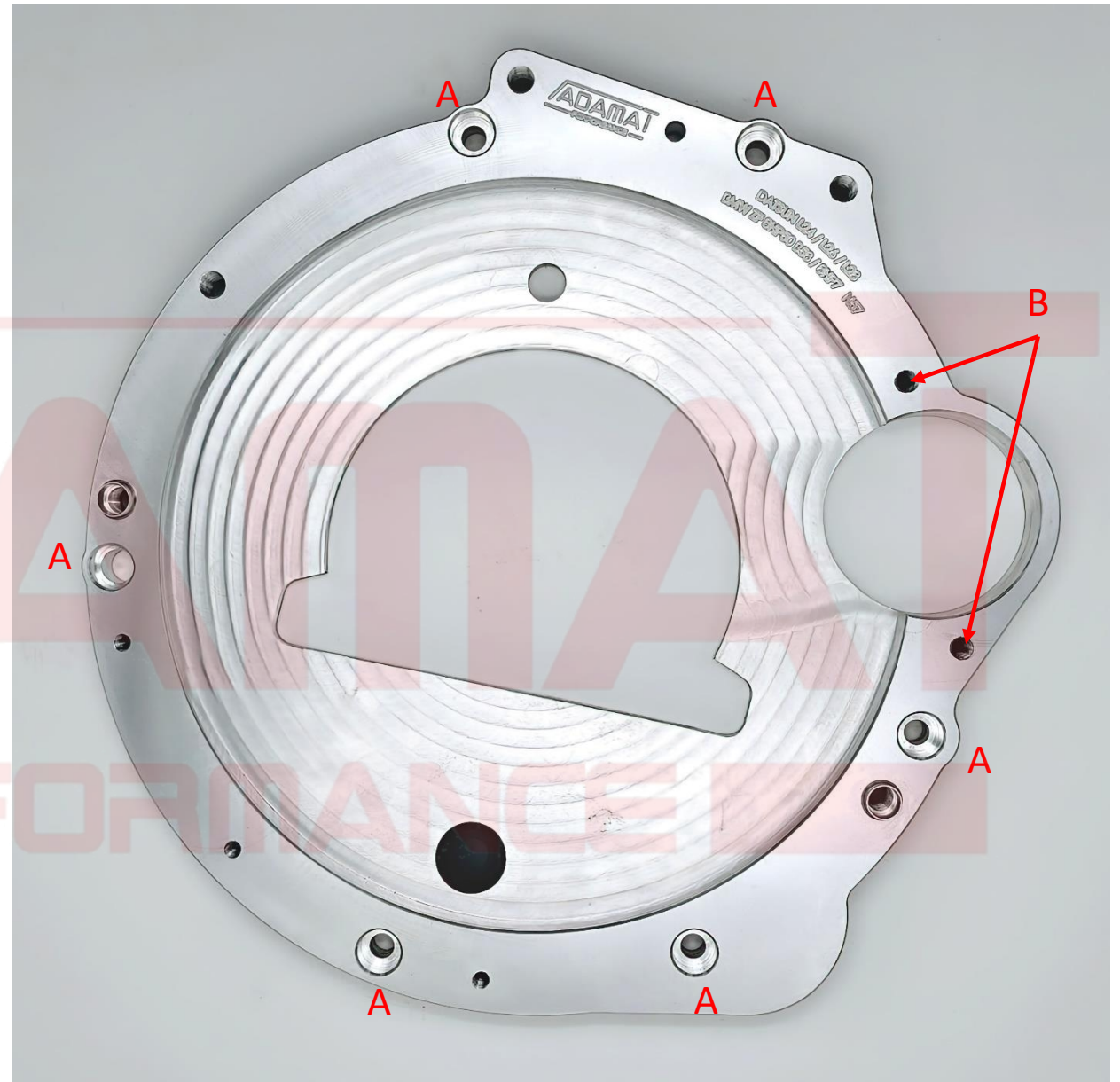
Hole for 14mm dowel slave in engine block  
Please make 14mm dowel slave shorten



## First step adapter installation on engine

A - 6x Holes for  
DIN912 M10x1.5x25,

B - 2x M10x 25  
holes for starter  
motor.  
Assembled from  
opposite site.

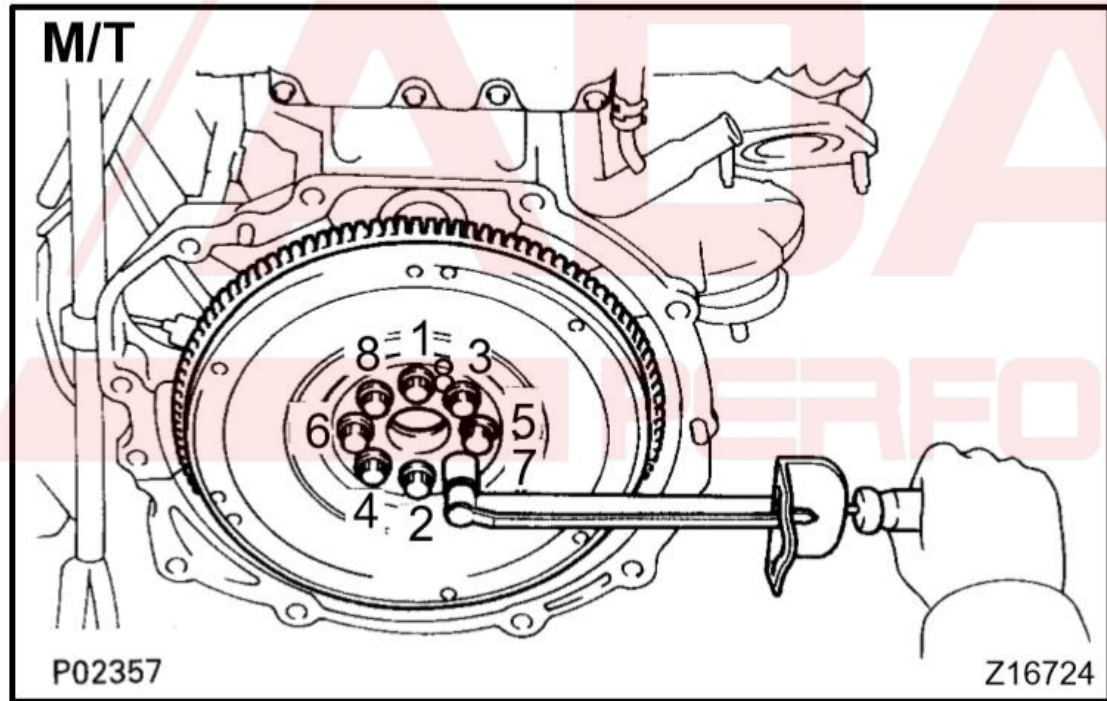


## 1. Assy main flywhell on engine block

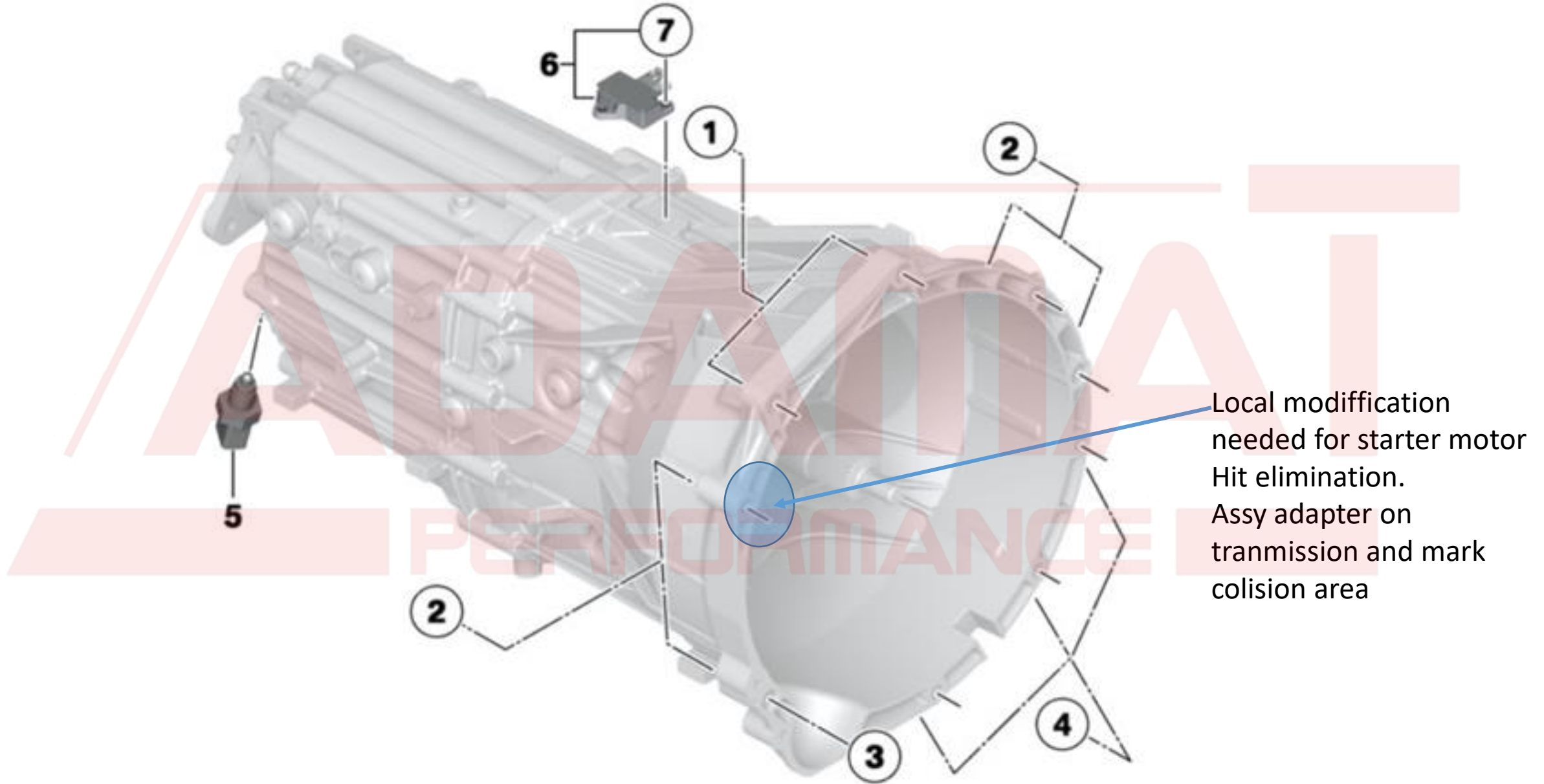
### Torque for bolts from kit M12x1.25x30 12.9 class

- use lubricant SOFT thread locker
- first stage 49Nm
- Secound stage 110Nm
- final stage 135Nm

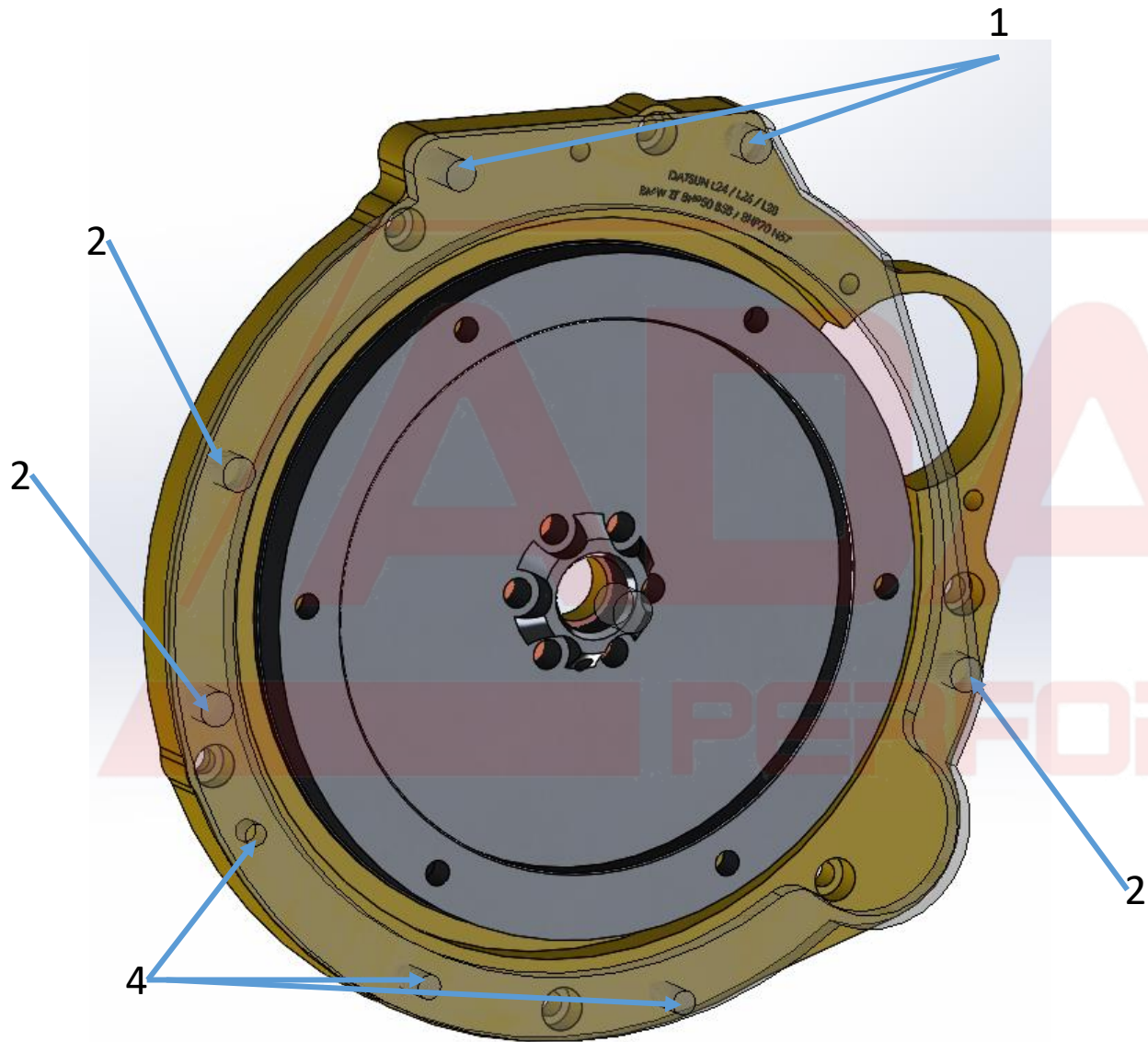
### Example chart



### 3. Assy transmission with torque converter on engine.



### 3. Assy transmission with torque converter on engine bolts chart.

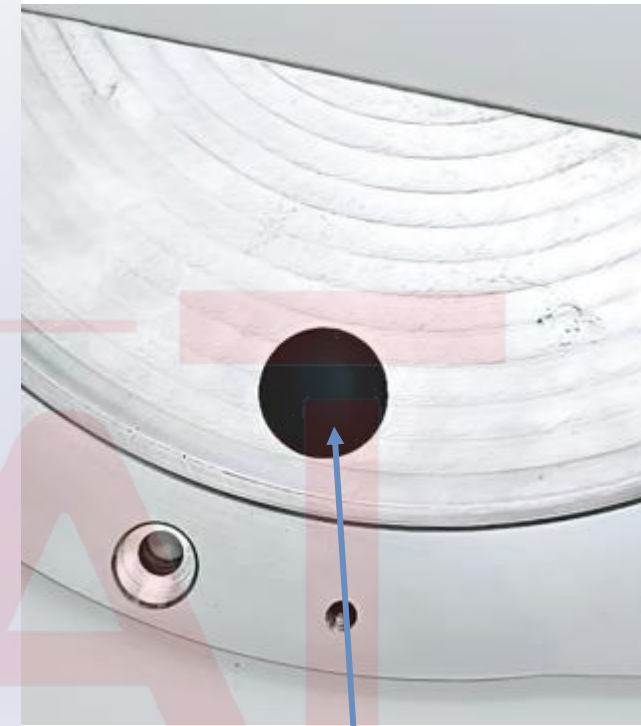
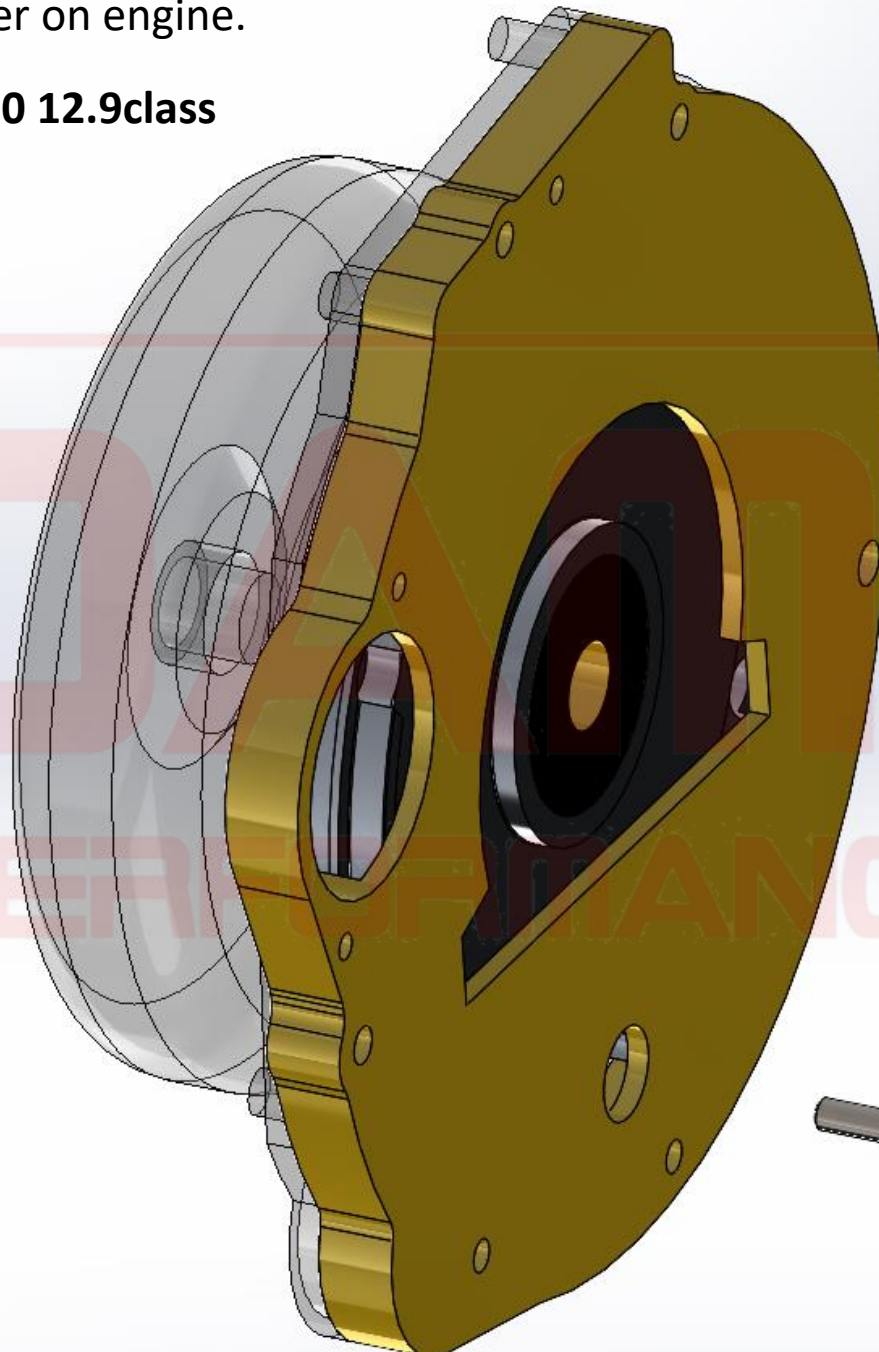


N	Bolts type	Size	Qty
1	DIN912	M12x1,5x40	2
2	DIN912	M12x1,5x60 in dowel pin 14.5 two holes	2
2	DIN912	M12x1,5x60	1
4	DIN912	M8x45	3
	Dowel 14,5	Assembled in adapter plate	2

### 3. Assy transmission with torque converter on engine.

#### 2 Torque for bolts from kit M10x30 12.9class

- use graphite grase on threads.
- first stage 49Nm
- Secound stage 55Nm
- final stage 79Nm



Plasticage cap



2