

Manual with instalation proces Ford Cosworth YB enigne with 8HP

E-mail: [adamat@poczta.onet.eu](mailto:adamat@poczta.onet.eu)

List of compatibble tranmission

BMW ZF 8HP 8HP70 GA8HP70 BMW N57 N57N

BMW ZF 8HP 8HP75 GA8HP75X BMW N57 N57N

BMW ZF 8HP 8HP50 / 8HP50Z GA8HP50Z BMW BMW B58 B58B30

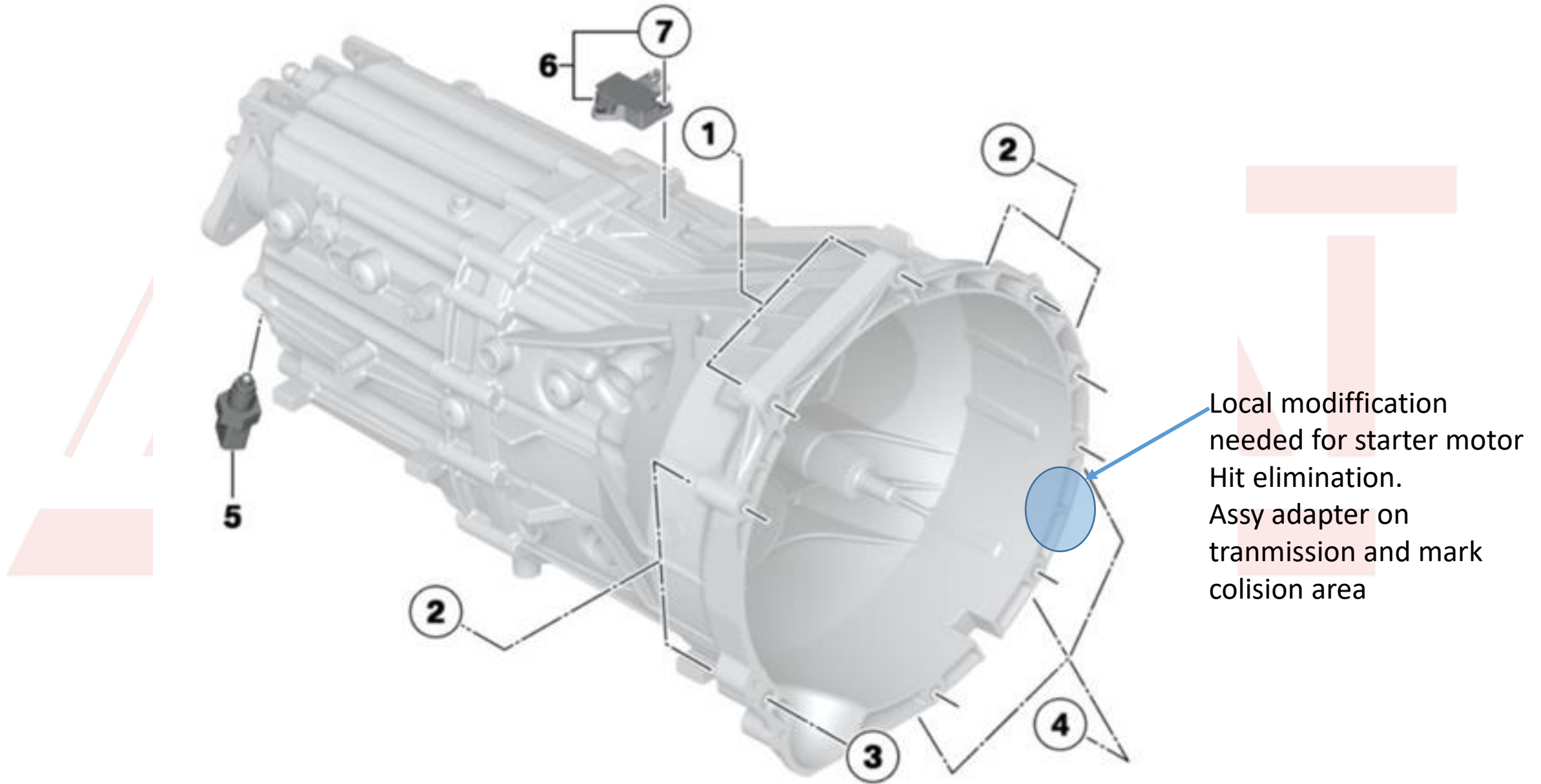
BMW ZF 8HP 8HP75Z GA8HP75Z / 8HP75 BMW B57 B57B30

BMW ZF 8HP 8HP51Z GA8HP51Z / 8HP51 BMW B48 B48B20

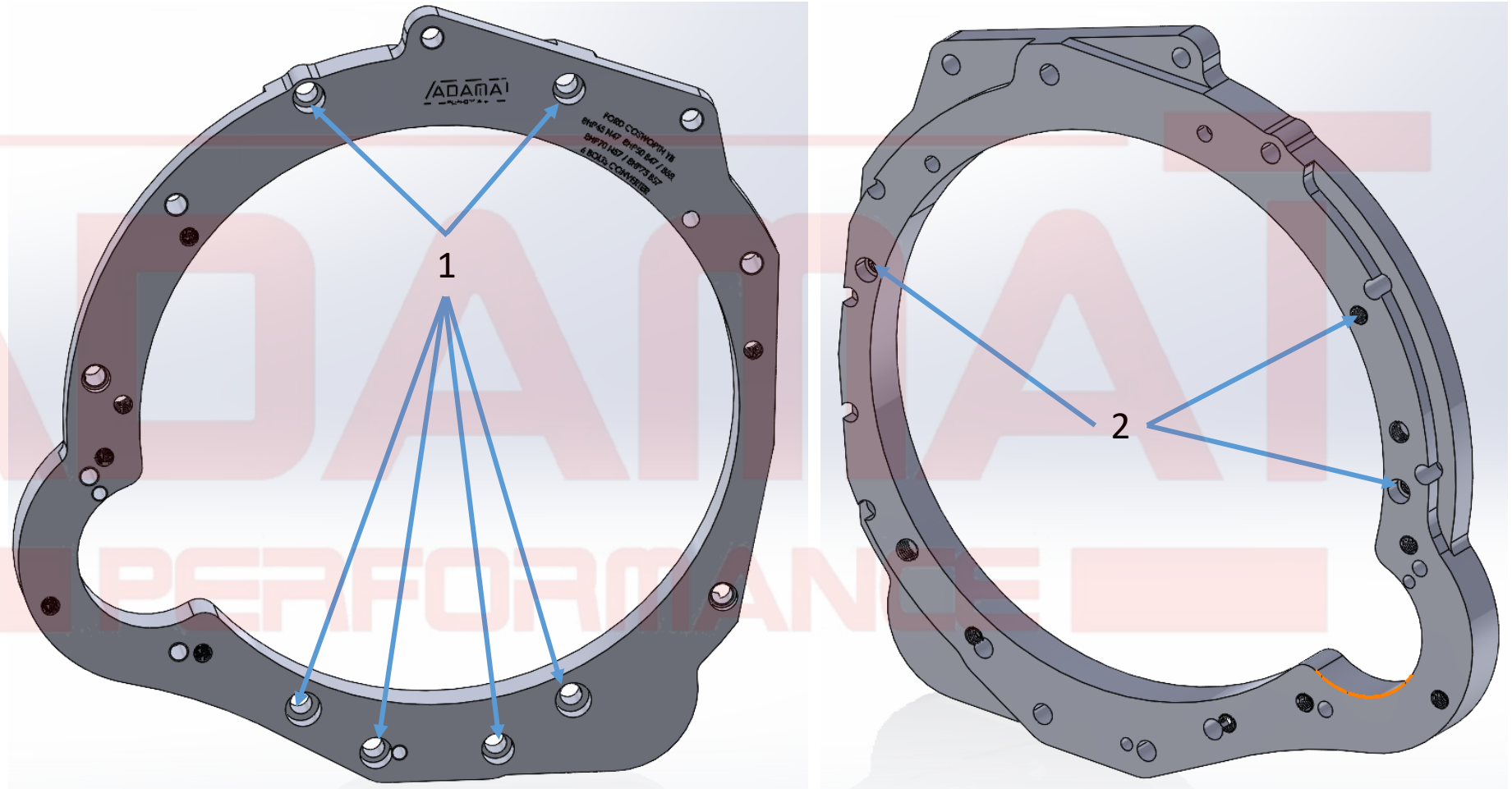
BMW ZF 8HP 8HP51Z GA8HP51Z / 8HP51 BMW B46 B46B20

BMW ZF 8HP 8HP45Z GA8HP45X BMW B47C/D20

### 3. Assy transmission with torque converter on engine.



## 1. First step adapter installation on engine.



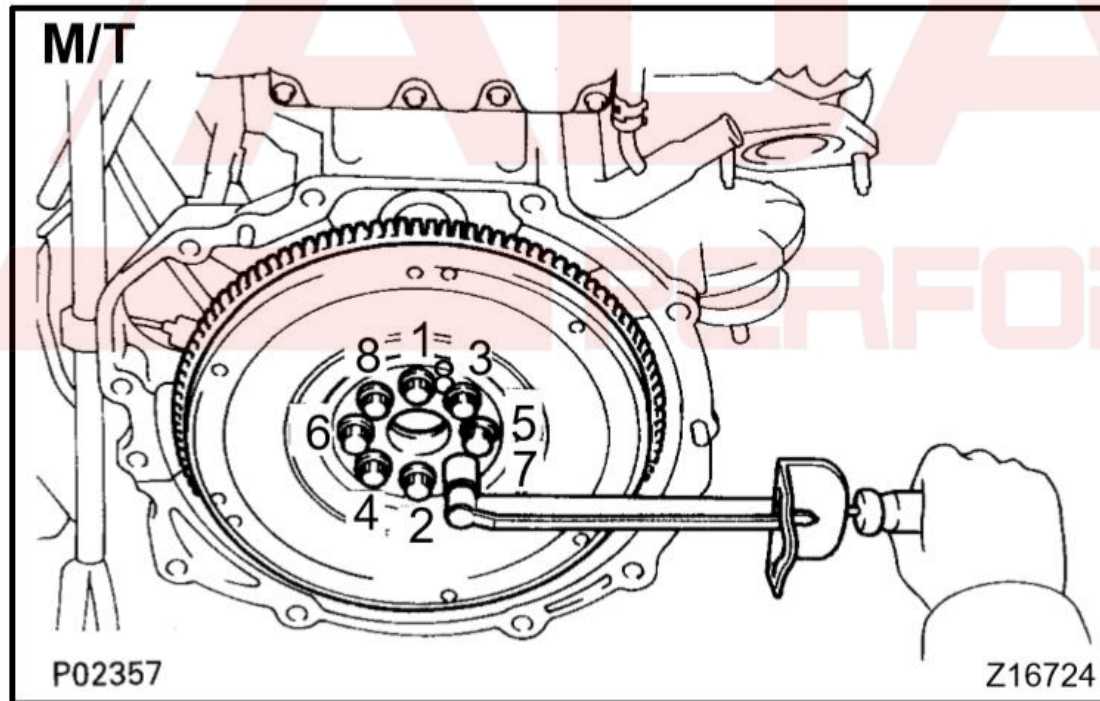
No	Bolts type	Size	Qty
1	DIN912	M10x25	6
2	DIN912	M10x40 oposite together with engine block, 2 holes positioning	3
3	DIN912	M10x35 Starter motor holes oposite from engine block direction	3

## 1. Assy main flywhell on engine block

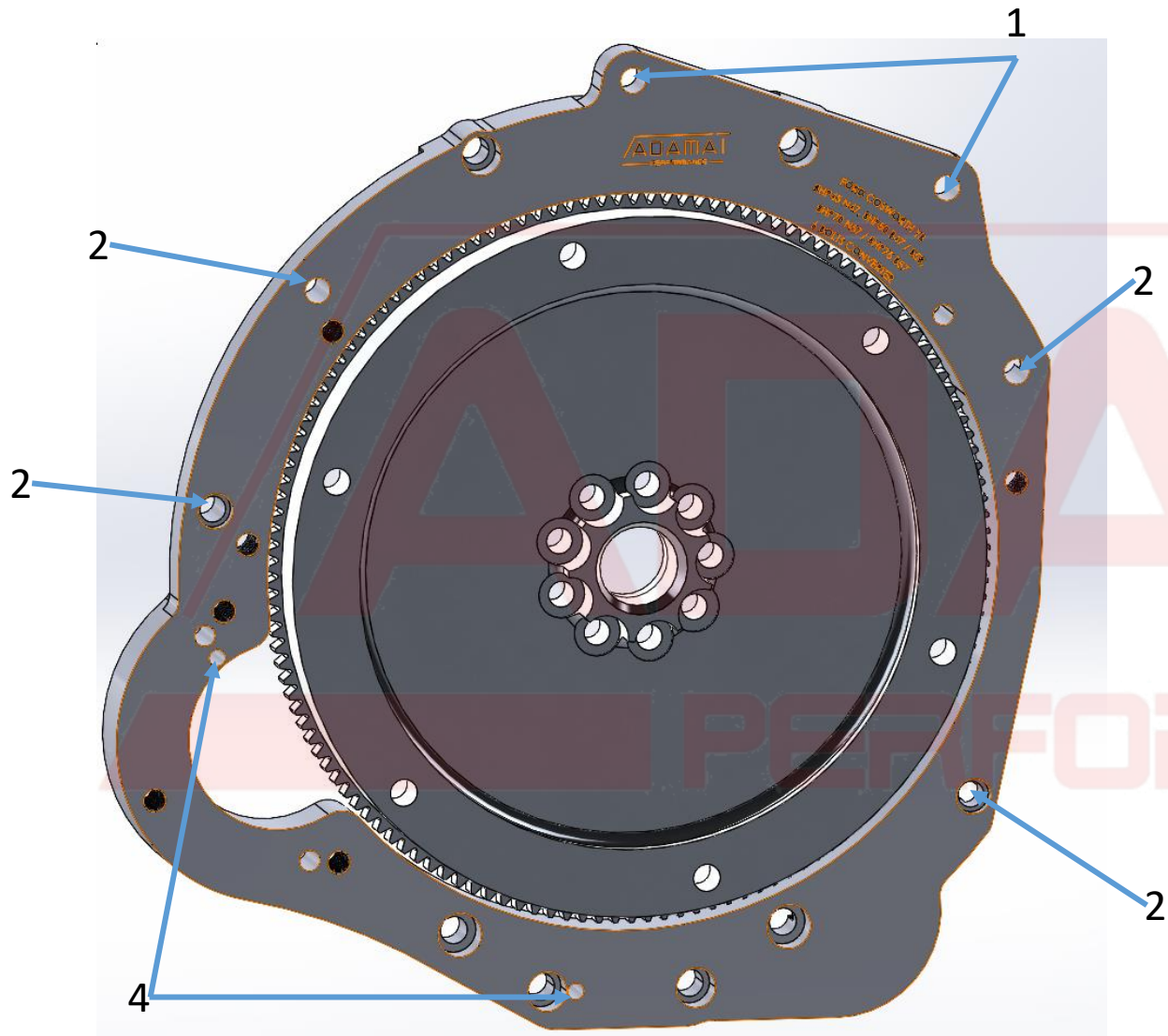
### Torque for bolts from kit DIN912 M10x1x30 12.9 class

- use lubricant SOFT thread locker
  - first stage 49Nm
  - Secound stage 65Nm
  - final stage 95Nm
- 1Nm/1,3558=1 ft-lb

### Example chart



### 3. Assy transmission with torque converter on engine bolts chart.



N	Bolts type	Size	Qty
0			
1	DIN912	M12x1,5x40	2
2	DIN912	M12x1,5x60 in dowel pin 14.5 two holes	2
2	DIN912	M12x1,5x55	2
4	DIN912	M8x45	2
	Dowel 14,5	Assembled in adapter plate	2

### 3. Assy transmission with torque converter on engine.

#### **2** Torque for bolts from kit M10x35 12.9class

- use graphite grase on threads.
- first stage 49Nm
- Secound stage 55Nm
- final stage 79Nm

